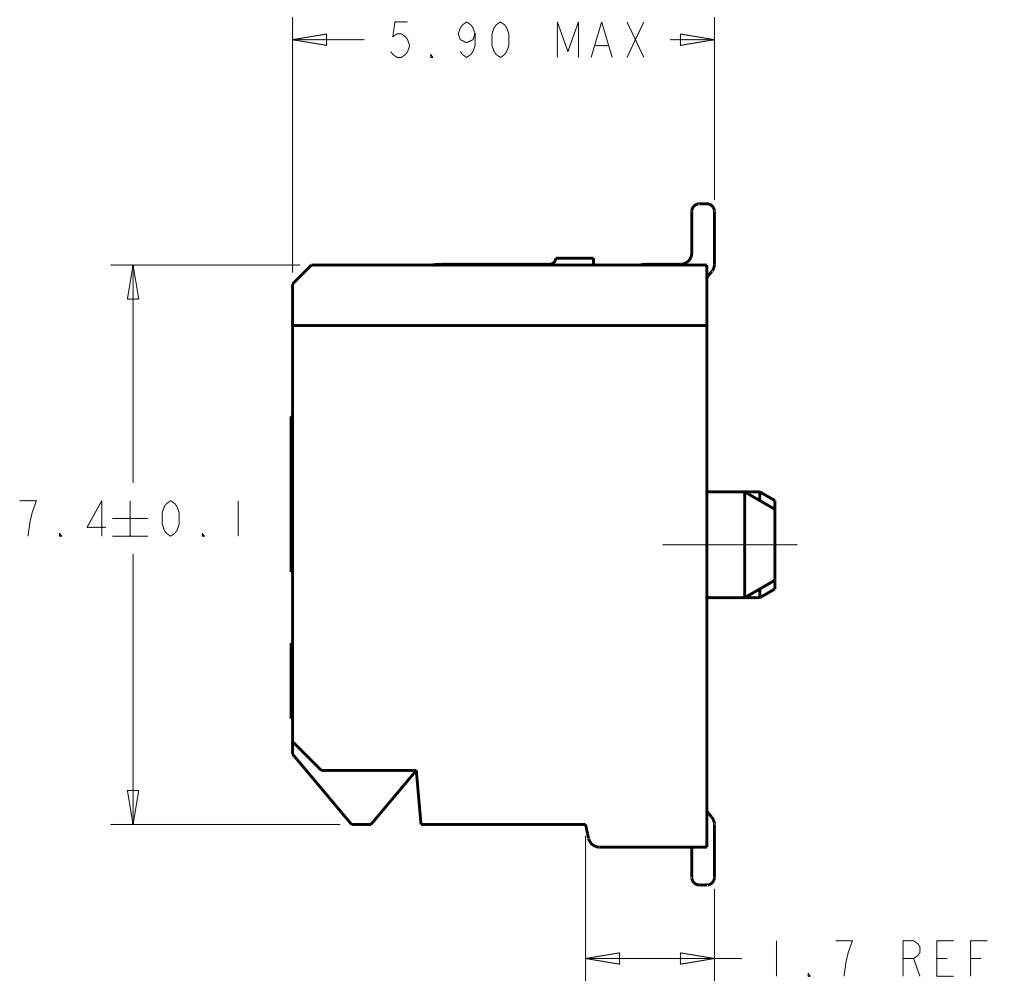
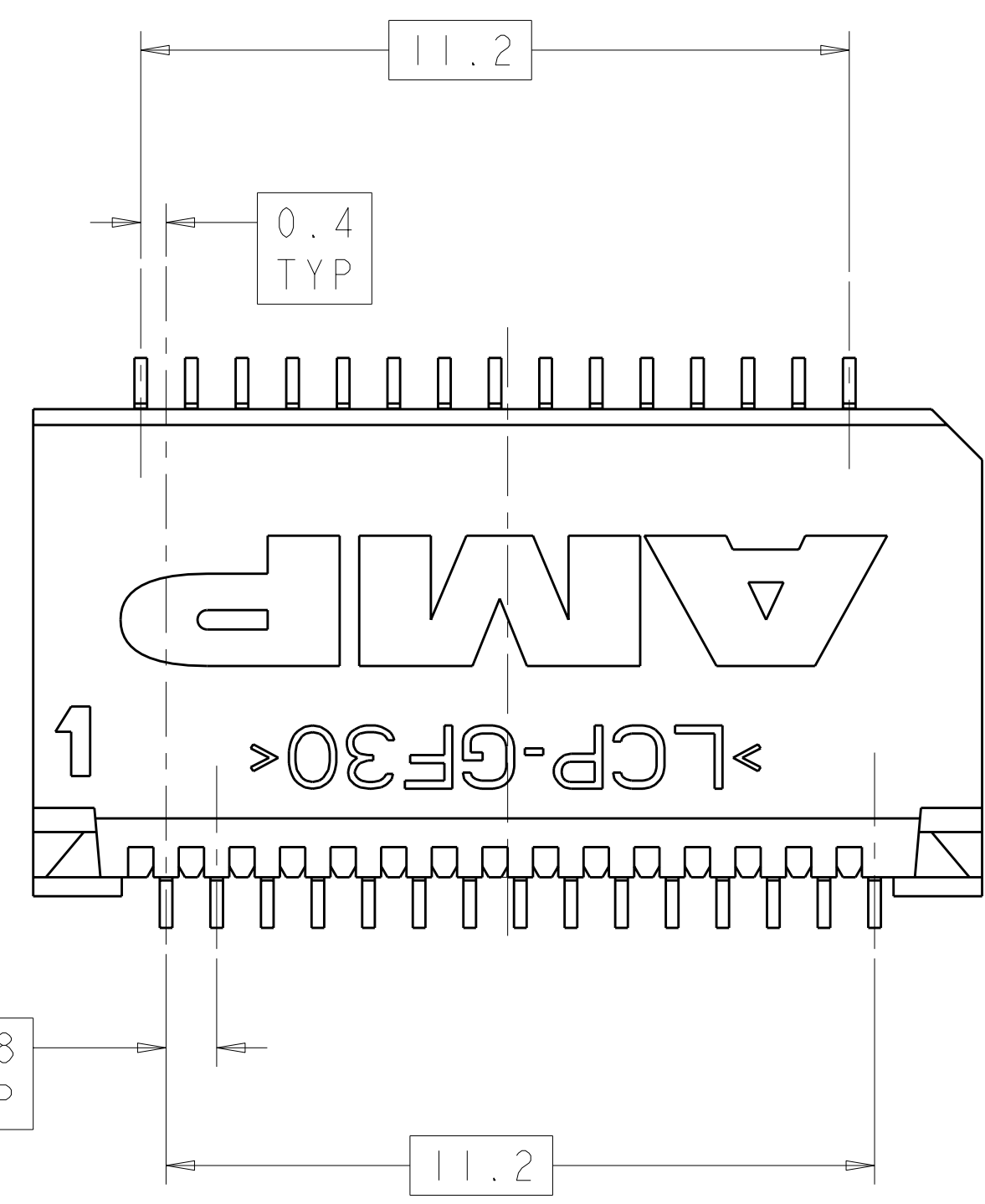
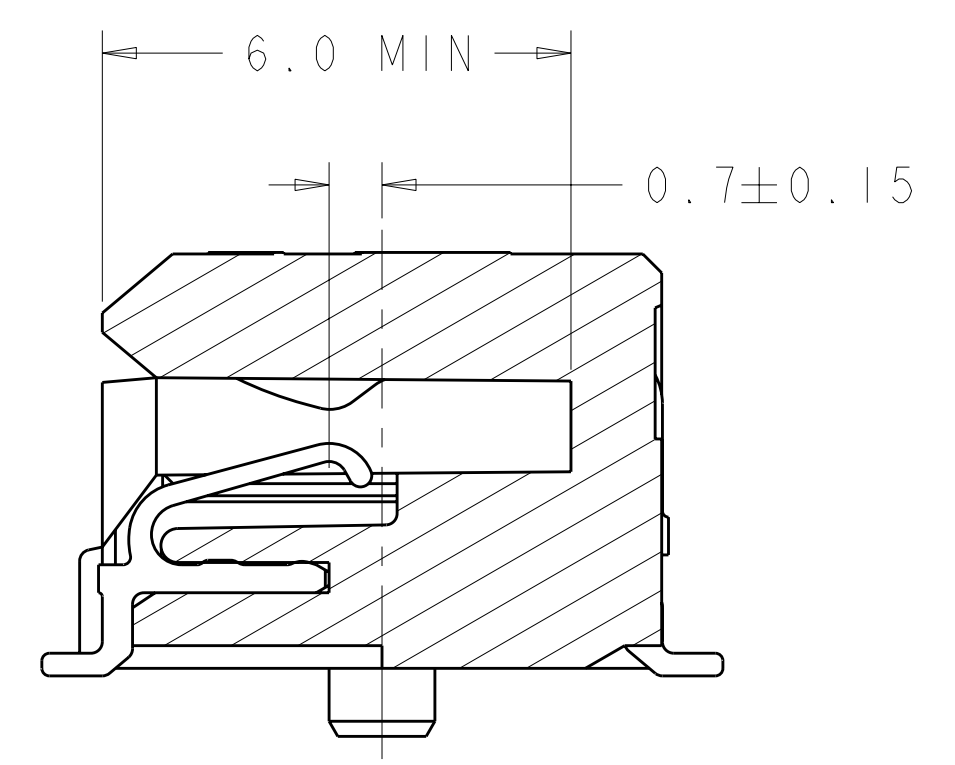
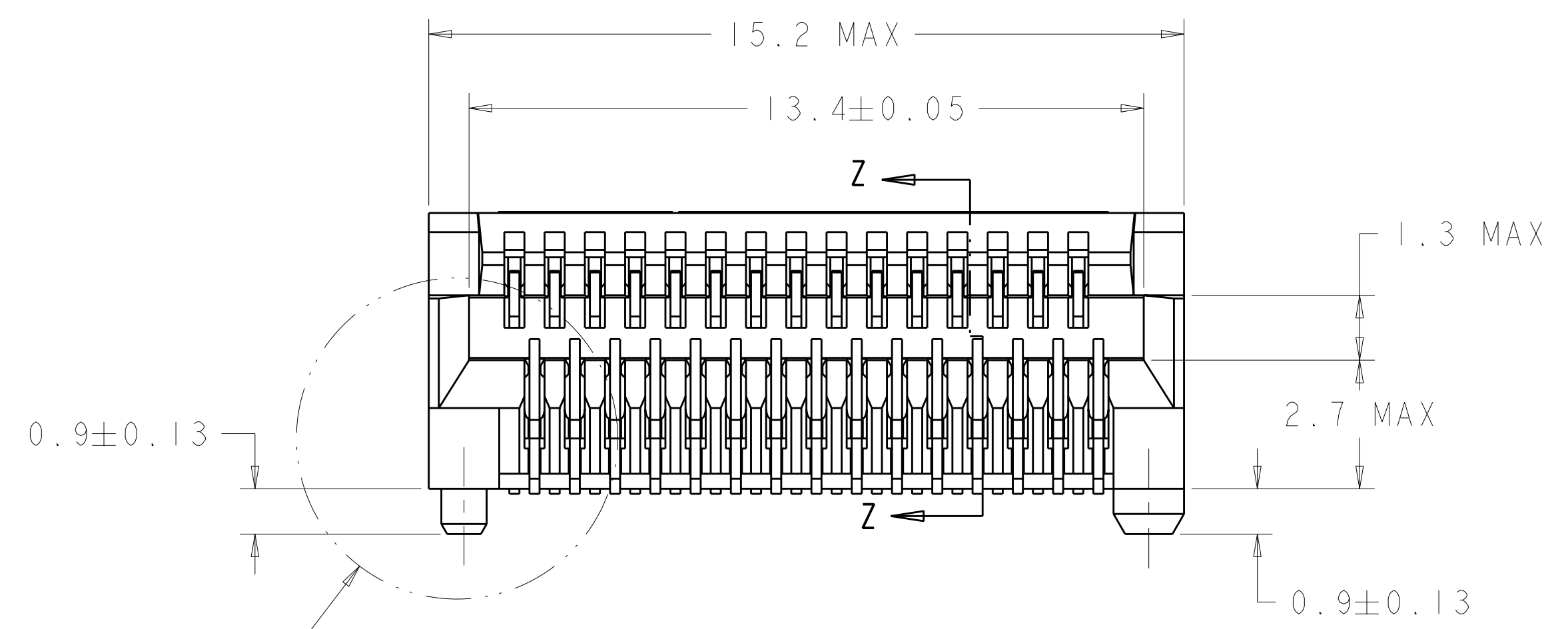


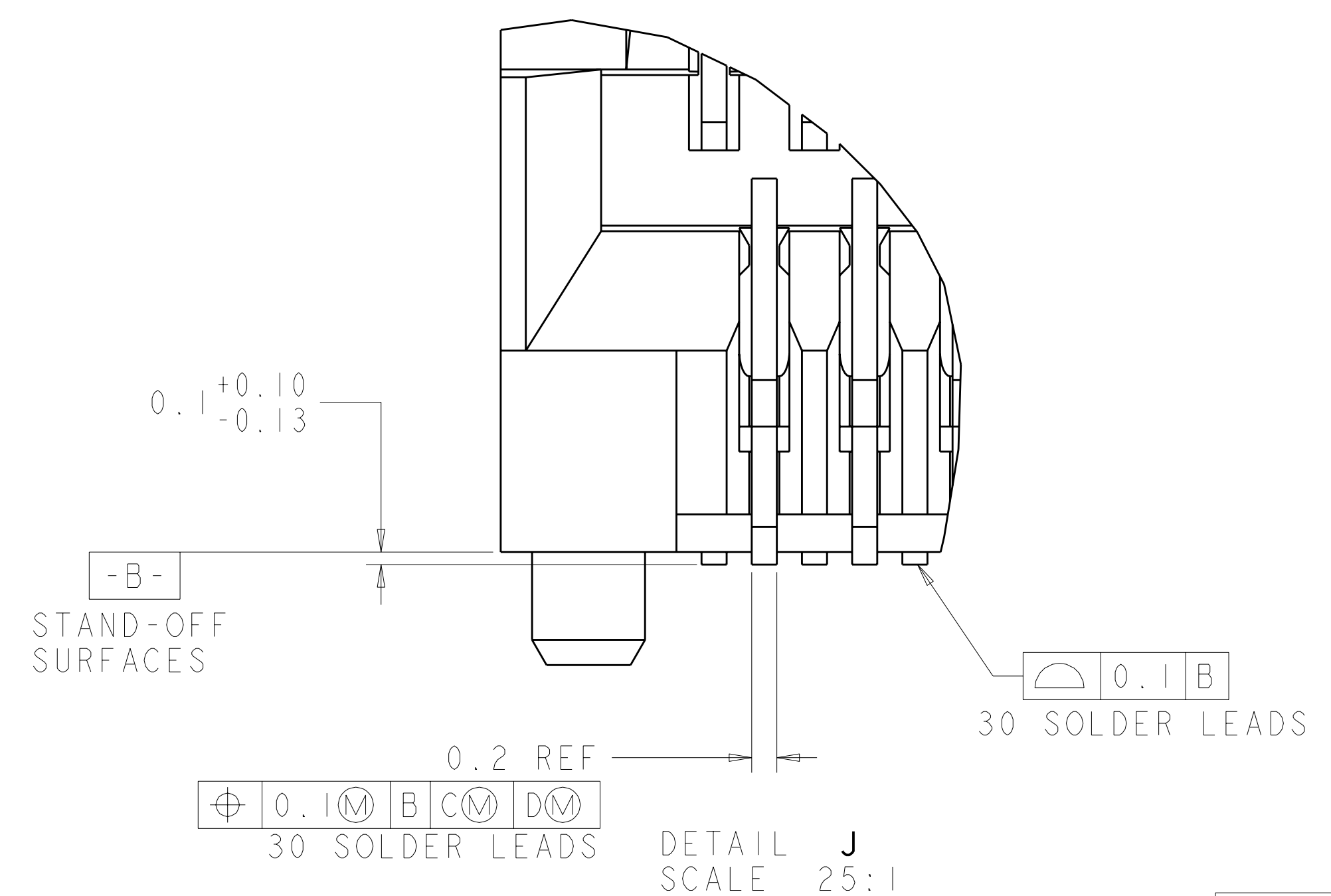
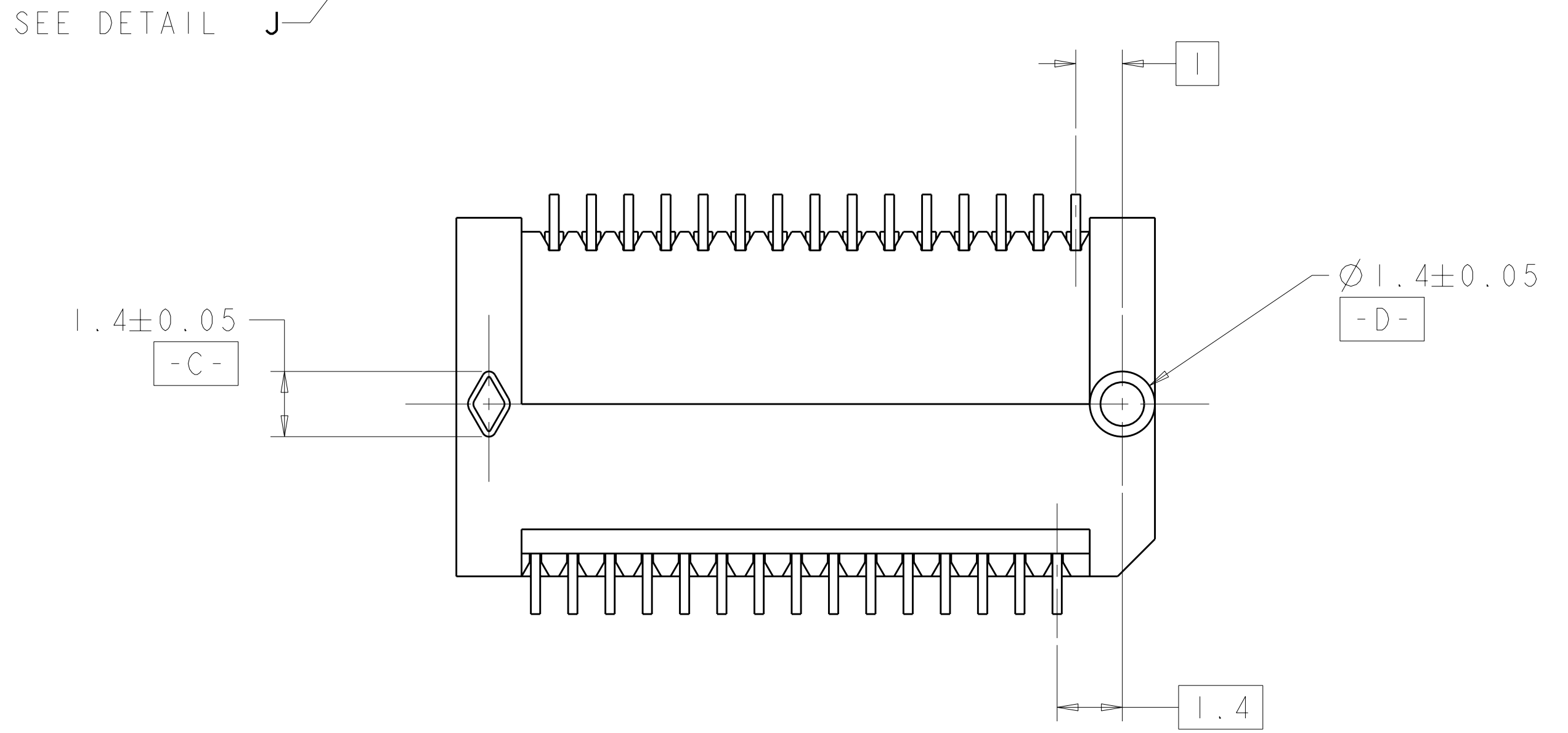
LOC	DIST	REV	DATE	BY	APPD
ES	00				
REVISIONS					
D		REVISED PER EC 0513-0307-05	22FEB06	BM	SS
E		REVISED PER EC 0513-0220-05	23FEB06	BM	SS
F		REVISED PER ECO-06-011603	15NOV06	BM	SS
G		REVISED PER ECR-07-025522	25OCT07	LL	SY



1. PART COMPATIBLE WITH XFP MSA. REFER TO THE XFP MSA FOR DIMENSIONS NOT SHOWN ON THIS PRINT.
- △ HOUSING MATERIAL: HIGH TEMPERATURE LCP, UL 94V-0
COLOR WHITE
CONTACT MATERIAL: PHOSPHOR BRONZE
- △ CONTACTS: 0.00076 MIN GOLD IN CONTACT AREA, 0.00013 MIN GOLD ON SOLDER AREA, OVER 0.0038 MIN NICKEL UNDERPLATE ON ENTIRE CONTACT. LUBRICANT ON GOLD PLATE CONTACT AREAS.
4. PACKAGED 480 PIECES PER REEL
- △ GROUND, POWER, AND SIGNAL PAD ARRANGEMENT TO BE DETERMINED BY CUSTOMER
- △ DATUMS AND BASIC DIMENSIONS TO BE ESTABLISHED BY CUSTOMER
- △ SOLDER MASK KEEP OUT AREA.



SECTION Z-Z



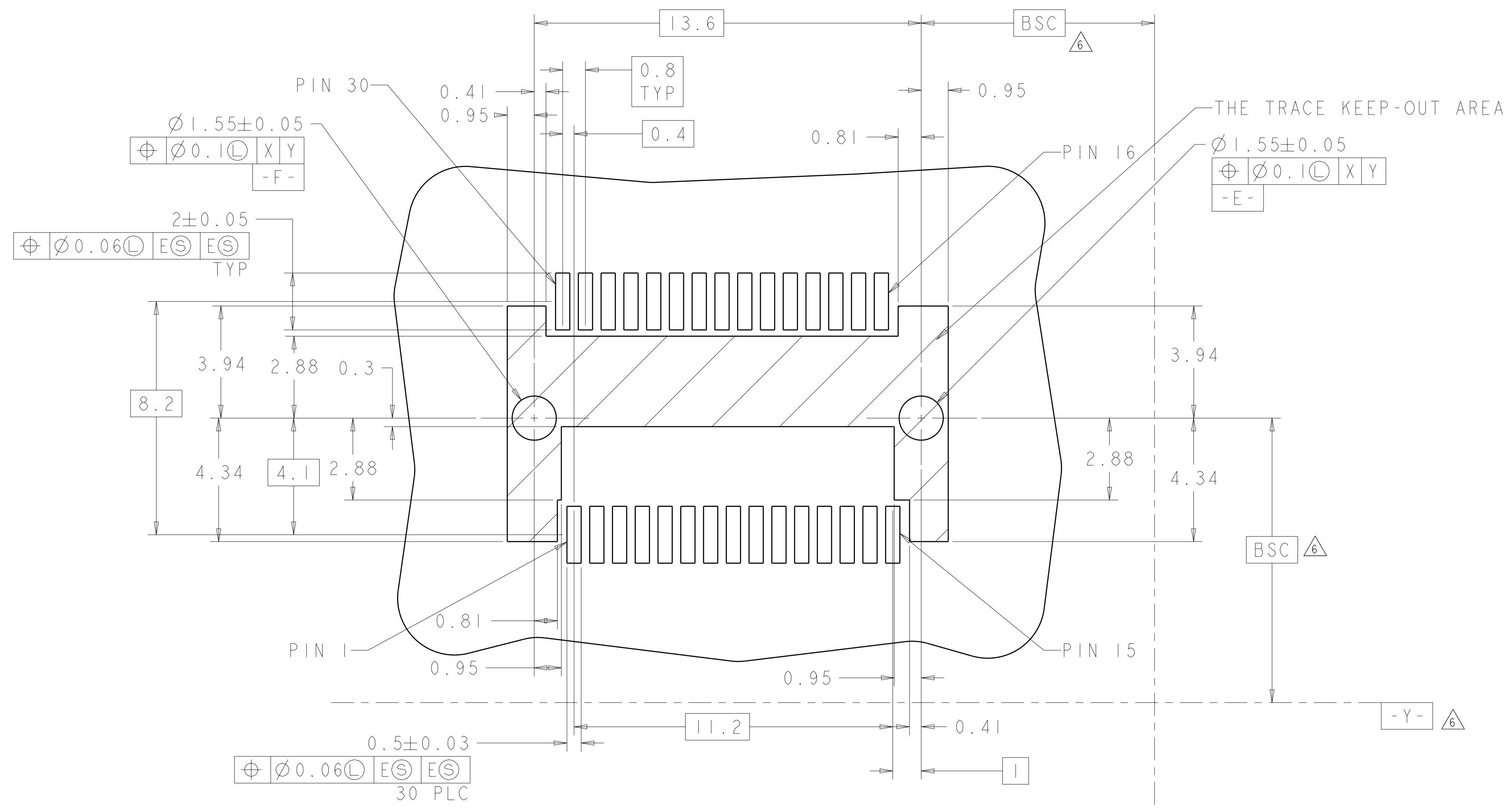
DETAIL J
SCALE 25:1

1367500-1
PART NUMBER

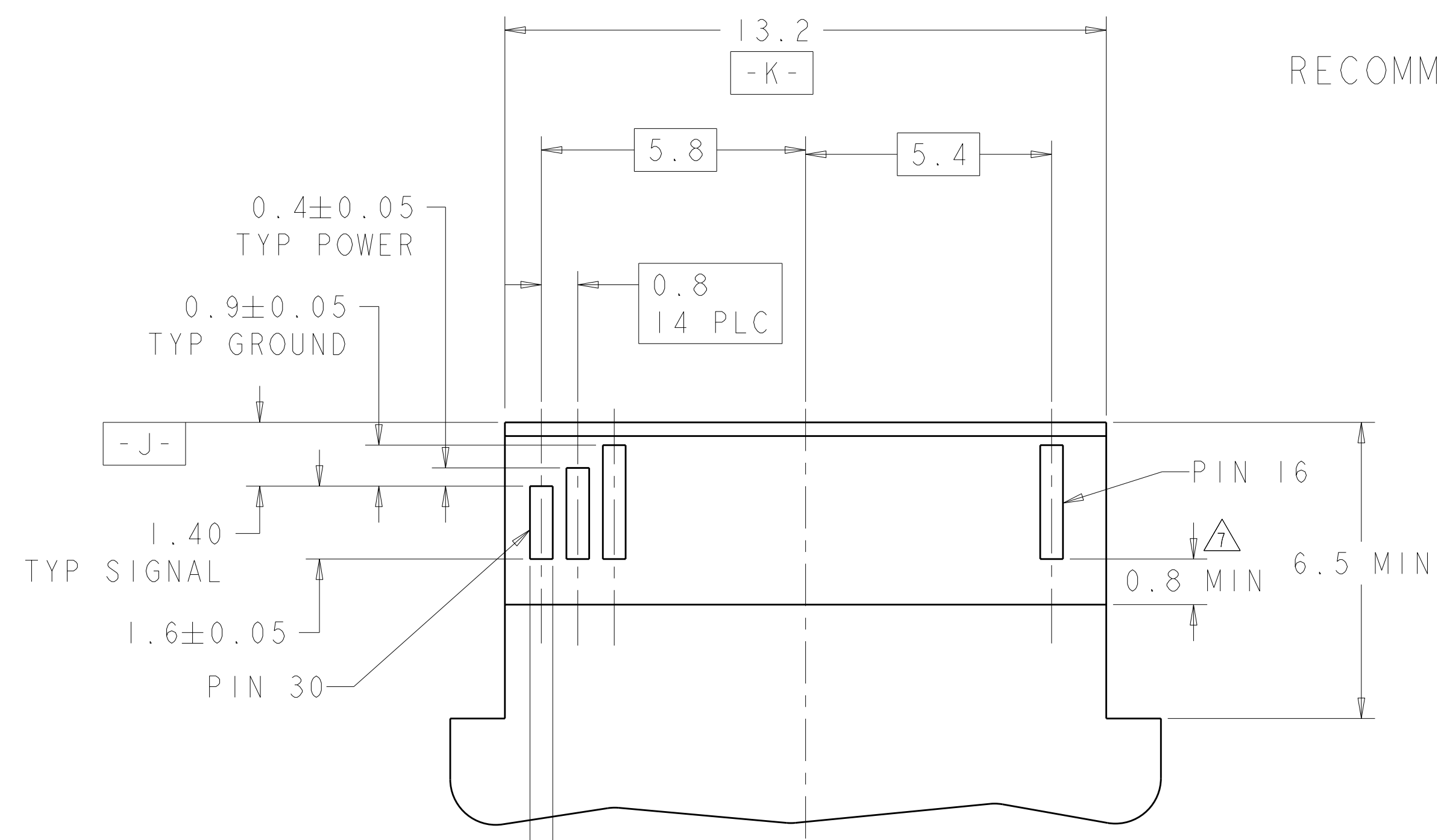
DIMENSIONS: mm 		TOLERANCES UNLESS OTHERWISE SPECIFIED: 9 PLC ± 1 PLC ±0.10 5 PLC ± 4 PLC ± ANGLES ± FINISH △		DWN P. KERLIN 17JAN03 CHK J. KOPPENHEFFER 06OCT03 APVD M. WALMSLEY 06OCT03 NAME PT CONNECTOR ASSEMBLY, ENHANCED PERFORMANCE, 30 POSITION XFP, RTANG, 0.8MM PITCH PRODUCT SPEC 108-1949 APPLICATION SPEC 114-13017 WEIGHT - CUSTOMER DRAWING		Tyco Electronics Corporation Shanghai, P.R.China, 200233 SIZE CAGE CODE DRAWING NO RESTRICTED TO A 100779 C=1367500 SCALE 10:1 SHEET 1 OF 2 REV G	
-----------------------	--	--	--	--	--	---	--

LOC	DIST	REV	DATE	BY	APPD
ES	00				

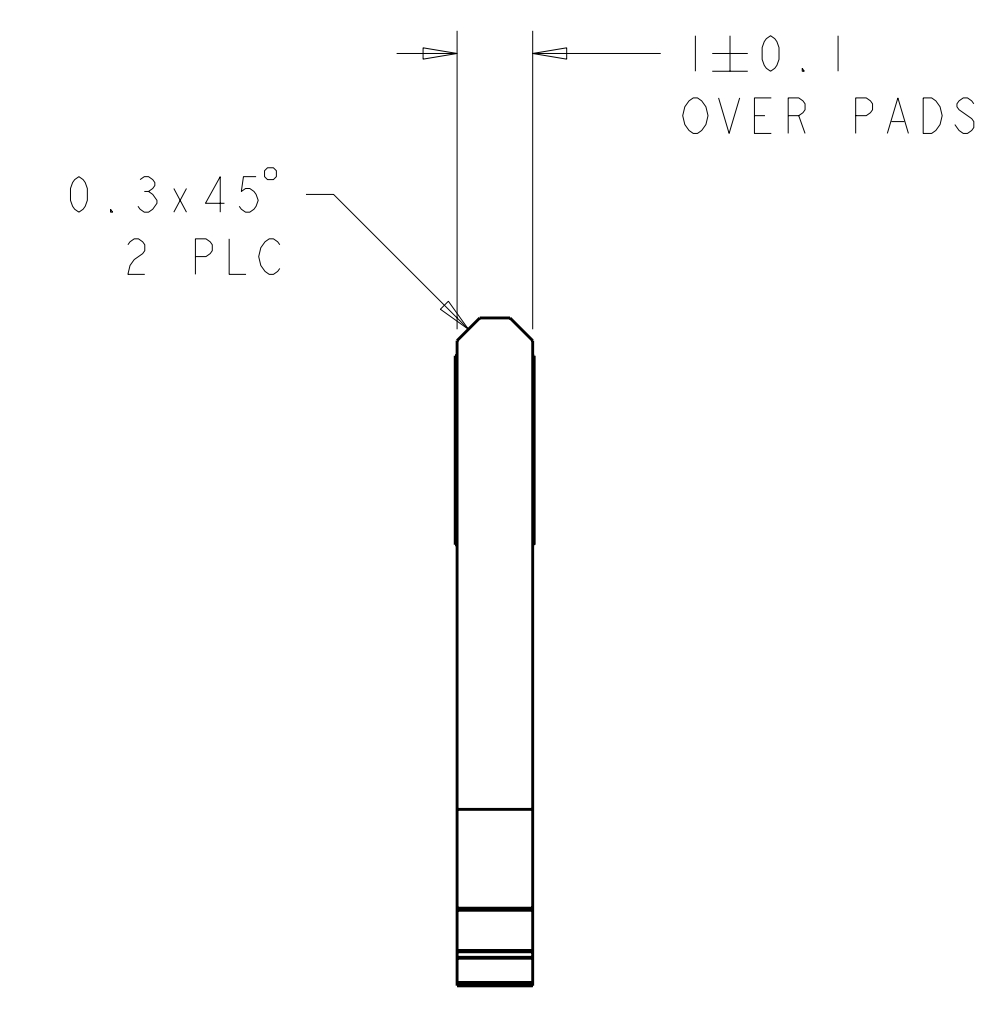
REVISIONS		DATE	BY	APPD
1	SEE SHEET 1			



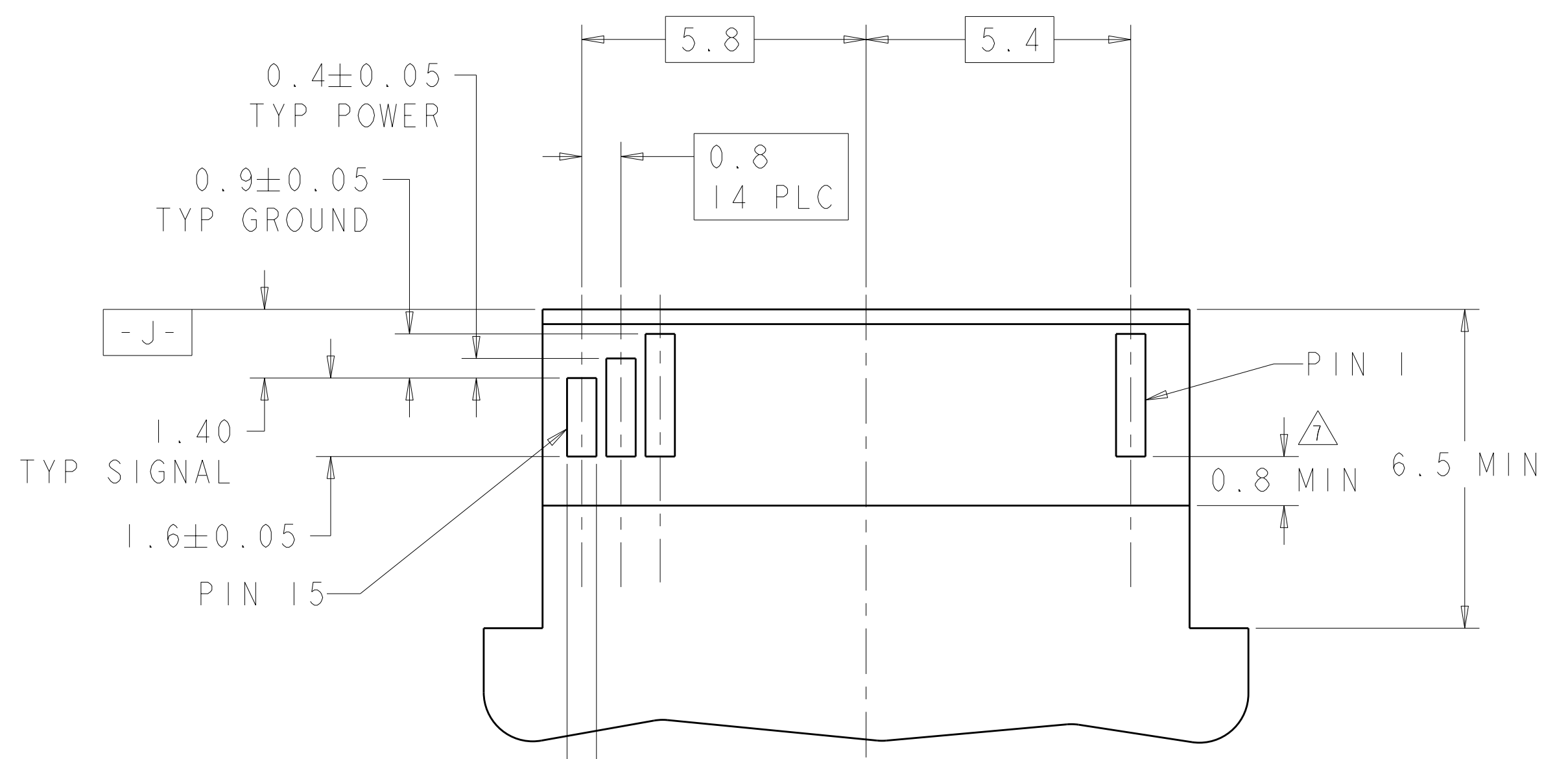
RECOMMENDED PCB CONFIGURATION



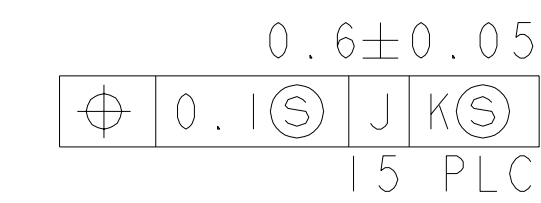
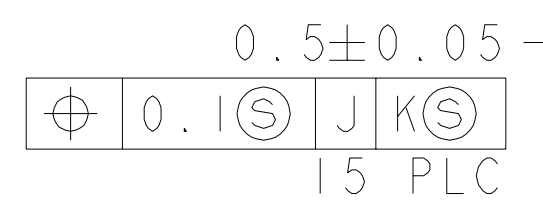
TOP VIEW



RECOMMENDED MATING PCB CONFIGURATION



BOTTOM VIEW



DIMENSIONS:		TOLERANCES UNLESS OTHERWISE SPECIFIED:		DWN P. KERLIN 17JAN03		Tyco Electronics Corporation	
mm	9 PLC ±	0.10		CHK J. KOPPENHEFFER	06OCT03	Shanghai, P.R.China, 200233	
	1 PLC ±	0.10		APVD M. WALMSLEY	06OCT03	NAME	
	2 PLC ±	0.10				PT CONNECTOR ASSEMBLY, ENHANCED PERFORMANCE, 30 POSITION XFP, RTANG, 0.8MM PITCH	
	3 PLC ±	0.10				SIZE CAGE CODE DRAWING NO RESTRICTED TO	
	4 PLC ±	0.10				A1100779C=1367500	
MATERIAL	FINISH	WEIGHT				SCALE 10:1 SHEET 2 OF 2 REV G	
						CUSTOMER DRAWING	